



The T LUM LED retrofit module is an excellent solution for communities aiming to convert their existing lighting systems and keep the traditional look of their downtown districts. It is affordable and can be used on new or existing lighting fixtures to improve your impact on the environment. The module meets both old and new IES criteria for uplight minimization.

	T LUM
System efficacy	Up to 80 lm/W
Supply voltage	110-230 VAC
LED	8
Power	15-20 W
Luminous flux	1,104 - 1,522 lm
Power factor	> 0.97
Advisable installation height	Up to 4 m
Weight	2 kg
Lifetime L80B10	50,000 h
CCT	3,000 K or 4,000 K
CRI	≥ 70
Ingress protection	IP 65
Surge protection options	1-2 kV
Operating temperature	-40 °C to +55 °C
Electrical / Appliance class	Class II
Beam angle	130°
Colour (RAL)	RAL 9005
Housing material	Steel sheet housing with aluminium heat sink
Mounting	E27 socket
Warranty	3 years
Certificates	IEC 60598-1:2014 (8 edition); IEC 60598-2-3:2002 + A1:2011; EN 60598-1:2015; EN 60598-2-3:2003 + A1:2011; IEC/EN 62031:2008 + A1+A2; IEC/TR 62778:2014; CE



LED module



Energy saving product



Overload protection



110-230V
Supply voltage



IP 65
Protection class



Long life



Appliance class II



Low maintenance



Ready to use



Easy mounting



Made in EU



CE certificate



RoHS
RoHS certificate



Recyclable materials

MAIN FEATURES

Overheat protection
Easy to install
Use with E27

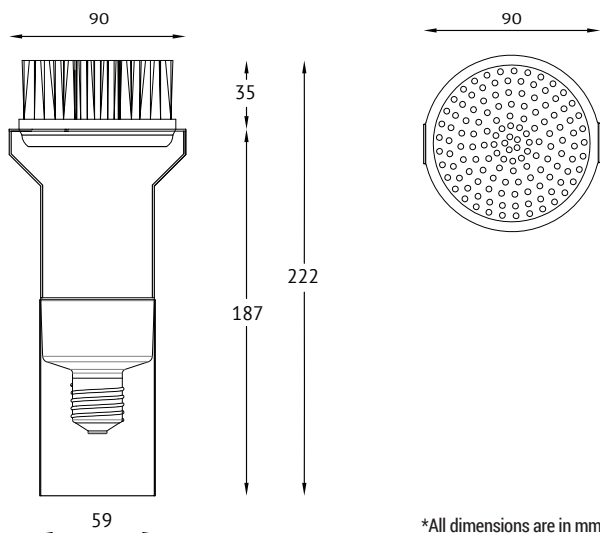
APPLICATIONS

Heritage sites
Historical avenues and squares
Parks and gardens

ACCESSORIES

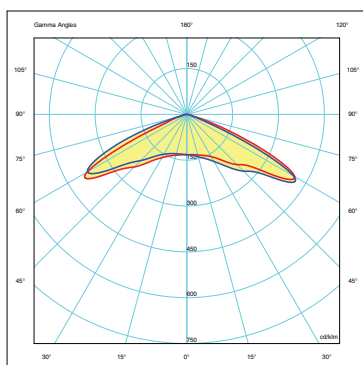
Mounting blend

DIMENSIONS



*All dimensions are in mm.

OPTIC



Wide symmetrical 130° light distribution, suitable for parks and walking areas.

PRODUCT VARIATIONS

Article	LED	Power [W]	Luminous flux [lm] *	Efficacy [lm/W]	Forward current [mA]	Body type	CCT [K]	Luminaires per fuse	Additional options
T LUM; 8.015.0013000K	8	15	Up to 1104	74	500	T LUM	3000	< 64 pcs	Class II
T LUM; 8.015.0014000K	8	15	Up to 1142	76	700	T LUM	4000	< 64 pcs	Class II
T LUM; 8.020.0013000K	8	20	Up to 1472	74	500	T LUM	3000	< 64 pcs	Class II
T LUM; 8.020.0014000K	8	20	Up to 1522	76	700	T LUM	4000	< 64 pcs	Class II

*Luminous flux is valid for CCT 4000 K

The latest validated data is available at www.lumenia.com.