

# U LUM

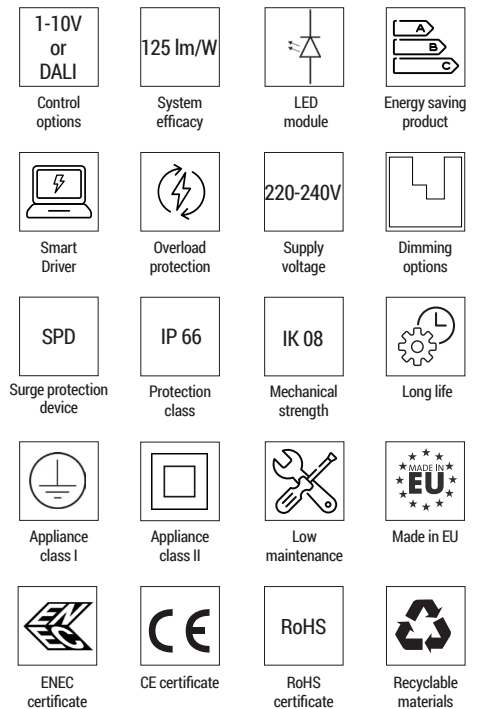


**LUMENIA  
STREET**

The modern futuristic design of the U LUM light complements the aesthetics of the city and integrates well in the urban environment. U LUM LED light makes urban areas more appealing and inviting for people, while also saving energy, reducing your environmental impact and making these areas safe for children, pedestrians and cyclists.



	U LUM
System efficacy	Up to 113 lm/W
Supply voltage	120-277 VAC 50 ÷ 60 Hz
LED	135
Power	10 - 40 W
Luminous flux	1,250 - 5,000 lm
Power factor	> 0.97
EPA rating	0.248 m <sup>2</sup>
Advisable installation height	Up to 6 m
Weight	9 kg
Lifetime L80B10	> 65,000 h
CCT	4,000 K; other upon request
CRI	> 80
Ingress protection	IP 66
Mechanical strength	IK 09
Surge protection options	10 kV / 10 kA
Operating temperature	-40 °C to +55 °C
Electrical / Appliance class	Class I, Class II
Dimming levels	0 - 100 %
Remote control options	Optional RF, PLC or Bluetooth
Colour (RAL)	Ral 9011
Housing material	Aluminium
Mounting	Pole 60 mm, 76mm (possible adapter use for other dimensions)
Warranty	5 years on electronics, 10 years on mechanical parts, upon request
Certificates	IEC 60598-1:2014 (8 edition); IEC 60598-2-3:2002 + A1:2011; EN 60598-1:2015; EN 60598-2-3:2003 + A1:2011; IEC/EN 62031:2008 + A1+A2; IEC/TR 62778:2014; CE, ENEC



## MAIN FEATURES

- Overheat protection
- 5-step dimming
- Constant lumen flux
- Multiple control protocol (Dynadimmer, 1-10V, DALI)
- Surge protection device (SPD)

## APPLICATIONS

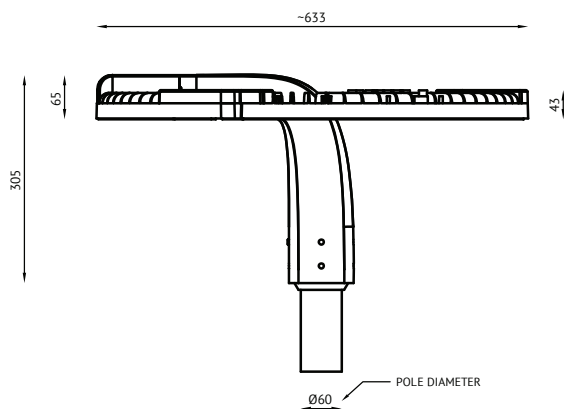
- Modern urban areas
- Parks and gardens
- Pedestrians and cycle paths

## ACCESSORIES

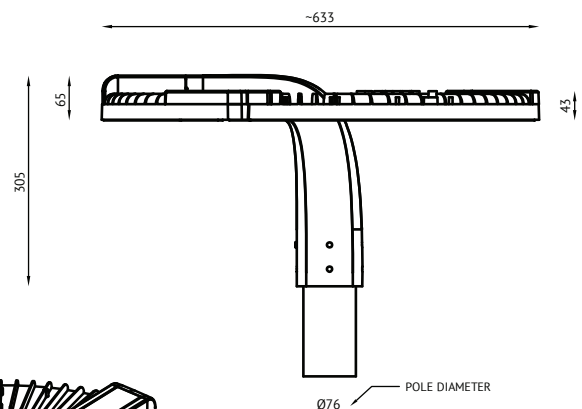
- Optional RF, PLC or Bluetooth module
- Pole mounting adapters

# DIMENSIONS

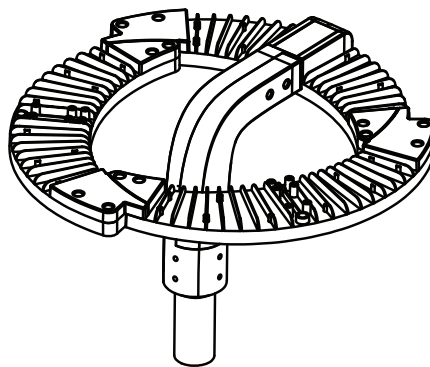
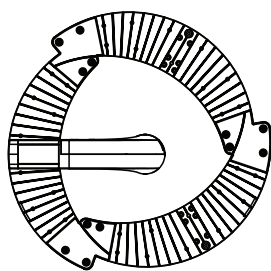
## U LUM Ø 60



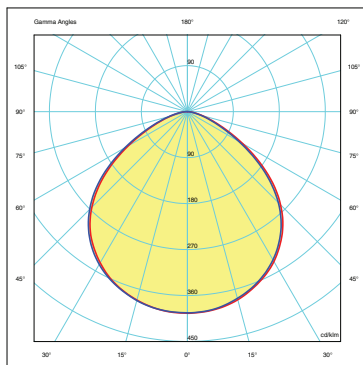
## U LUM Ø 76



\*All dimensions are in mm.



# OPTIC



Suitable for parks and pedestrian paths.

# PRODUCT VARIATIONS

Article	LED	Power [W]	Luminous flux [lm]	Efficacy [lm/W]	Forward current [mA]	Body type	Control	Luminaires per fuse	Appliance class	Additional options
U LUM135.010.001	135	10	Up to 1130	Up to 113	20	U LUM	DALI or 1-10V	< 50 pcs	Class I / Class II	PLC, RF, Bluetooth
U LUM135.025.001	135	25	Up to 2830	Up to 113	30	U LUM	DALI or 1-10V	< 21 pcs	Class I / Class II	PLC, RF, Bluetooth
U LUM135.040.001	135	40	Up to 4520	Up to 113	50	U LUM	DALI or 1-10V	< 21 pcs	Class I / Class II	PLC, RF, Bluetooth

The latest validated data is available at [www.lumenia.com](http://www.lumenia.com).

LUMENIA d.o.o., Kandrše 7, 1252 Vače, Slovenia  
 Tel: +386 3 567 07 96, e-mail: [info@lumenia.com](mailto:info@lumenia.com)  
[www.lumenia.com](http://www.lumenia.com)