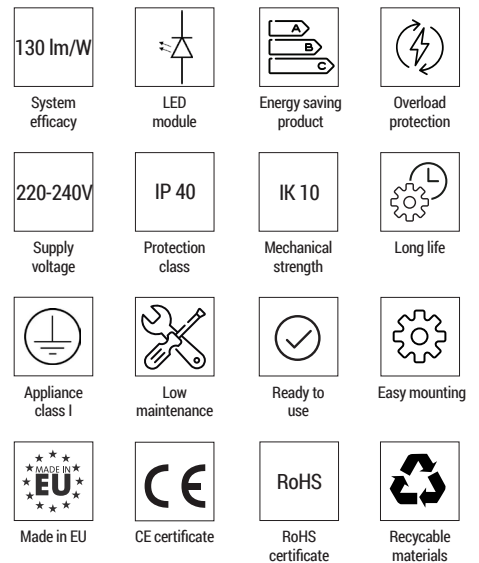




L LUM is our thinnest linear light with an integrated AC power supply. It offers efficient lighting without LED spots for commercial and industrial applications. Connector installation configuration and the possibility of two different extruded Batwing optics offer unmatched versatility. L LUM light can easily be installed with connectors, which allows for an end-to-end continuous line connection.



	L LUM
System efficacy	Up to 130 lm/W
Supply voltage	220-240 VAC
LED	92-184
Power	30-60 W
Luminous flux	3,480 - 7,530 lm
Power factor	> 0.97
Advisable installation height	Up to 7 m
Weight	1.1 kg, 2.2 kg
Lifetime L70B10	> 50,000 h
CCT	4,000 K
CRI	≥ 80
SDCM	3
Ingress protection	IP 40
Mechanical strength	IK 10
Surge protection options	1 kV / 2 kV
Operating temperature	-20 °C to +40 °C
Electrical / Appliance class	Class I
Colour	Silver mat
Housing material	Aluminium, PC
Mounting	Pendant or surface mounting
Warranty	5 years on electronics, 10 years on mechanical parts
Certificates	EN 60598-2-1:1989, EN 60598-1:2008+A11:2009; EN 62031:2008+A1:2013; EN 62471:2008; EN55015:2013; EN61547:2009; EN61000-3-2:2006; EN61000-3-3, CE



MAIN FEATURES

Plug&Play lightweight installation
Extruded optics

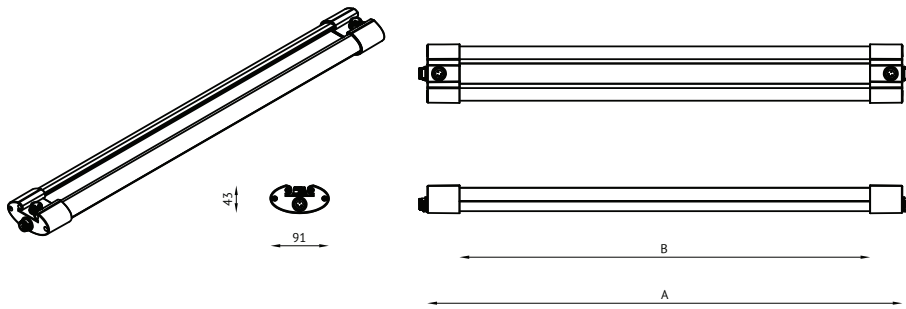
APPLICATIONS

Retail stores
Production facilities
Warehouses

ACCESSORIES

Wire mounting bracket

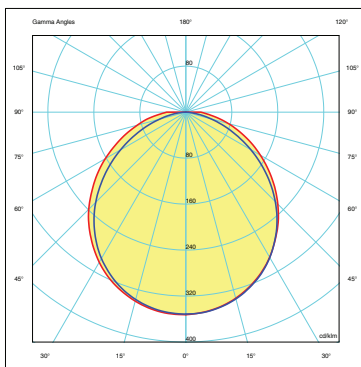
DIMENSIONS



SIZES	L LUM 1	L LUM 2
A	735	1335
B	635	1235
KG	1.1 kg	2.2 kg

*All dimensions are in mm.

OPTIC



Angular distribution of luminance.

PRODUCT VARIATIONS

Code	LED	Power [W]	Luminous flux [lm]*	Efficacy [lm/W]	Forward current [mA]	Body type	Luminaires per fuse	Appliance class
L LUM.030.06.ST.40	92	30	Up to 3480	125	45	L LUM 1	< 80 pcs	Class I
L LUM.060.12.ST.40	184	60	Up to 7530	125	45	L LUM 2	< 40 pcs	Class I

*Luminous flux is valid for CCT 4000 K

The latest validated data is available at www.lumenia.com.

NOTES
