

# E LUM



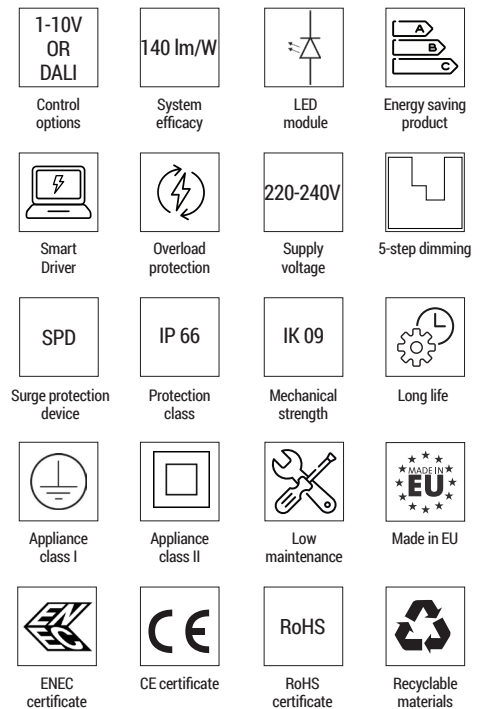
**LUMENIA  
STREET**

The E LUM LED light is a high-tech street light with a modern, extremely thin, aerodynamic design. It integrates seamlessly into all public and private outdoor areas, as well as all road types. The E LUM LED is an ideal choice for all categories of streets, parking lots, urban areas, and city centers. It is made of modern high-tech materials that have been tested in the automobile and medical industries.



	E LUM 1	E LUM 2
System efficacy	Up to 140 lm/W	Up to 140 lm/W
Supply voltage	220-240 VAC 50 ÷ 60 Hz	220-240 VAC 50 ÷ 60 Hz
LED	8-24	48-96
Power	10-80 W	80-220 W
Luminous flux	1,450-8,400 lm	8,490-27,000 lm
EPA rating	0.0552 m <sup>2</sup>	0.0862 m <sup>2</sup>
Advisable installation height	Up to 9 m	Up to 16 m
Weight	7 kg	15 kg
Lifetime L80B10	>65,000 h (Economy & Standard)	
Lifetime L90B10	>100,000 h (Premium)	
CCT	4,000 K, other upon request	
CRI	≥70, ≥80 upon request	
Ingress protection	IP 66	
Mechanical strength	IK 09	
Surge protection options	10 kV / 6kV; additional SPD 10 kV / 10 kA	
Operating temperature	-40 °C to +55 °C	
Electrical / Appliance class	Class I, Class II	
Tilt	0° to 90°	
Dimming levels	0-100 %	
Remote control options	Optional RF or PLC	
Colour (RAL)	RAL 7037	
Housing material	Aluminium	
Mounting	Pole 60 mm (possible adapter use for other dimensions)	
Warranty	5 years on electronics, 10 years on mechanical parts	
Certificates	IEC 60529:2001; EN 60598-1:2008, cl.9.2.2 and 9.2.7; IEC 60598-2-3 (Third Edition):2002 + A1:2011 used in conjunction with IEC 60598-1 (Seventh edition):2008; EC 62031:2008 (First Edition); CE; ENEC; ZIK	

VARIATION	Economy	Standard	Premium
Efficacy	Up to 96 lm/W	Up to 112 lm/W	Up to 140 lm/W
Overheat protection	/	Yes	Yes
Power reduction	/	Yes	Yes
Time dependant luminous flux	/	Yes	Yes
CLO	/	Yes	Yes
Number of optics	8	8	8
Different CCT available	/	Yes	Yes
Control options	/	Optional	Optional
Surge protection options	/	Optional	Optional



## MAIN FEATURES

High efficacy - up to 140 lm/W  
 Dynadimmer,  
 1-10V or DALI,  
 IoT compatible

## APPLICATIONS

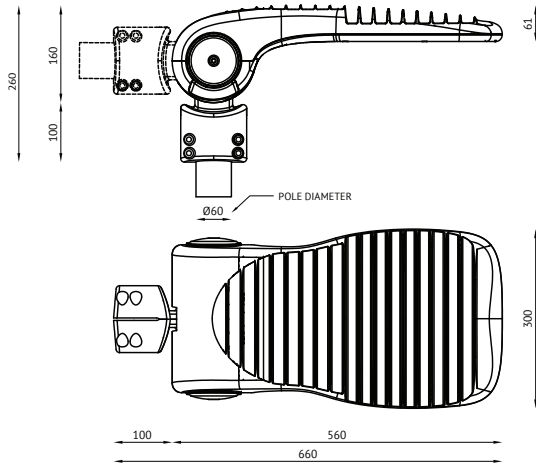
Road types: P1, P2, P3, P4, P5, P6, M1, M2, M3, M4, M5, M6  
 Smaller sport playgrounds  
 Parking lots

## ACCESSORIES

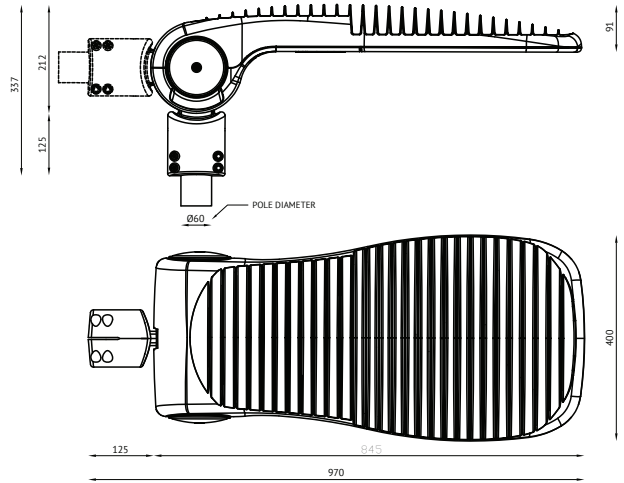
Wall and pole mounting adapters  
 Surge protection device (SPD)  
 Nema Socket (lighting sensor)  
 PLC and RF control options  
 Integrated camera

# DIMENSIONS

## E LUM 1



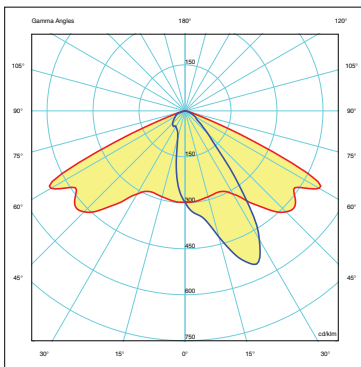
## E LUM 2



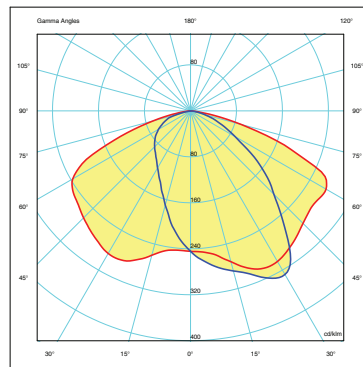
\*All dimensions are in mm.

# OPTICS

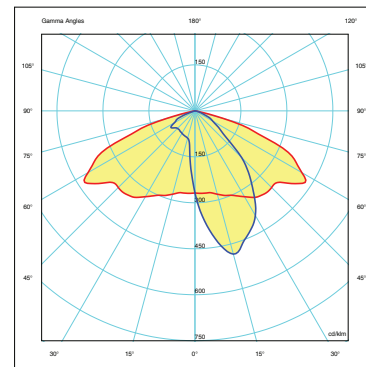
## ALL OPTICS



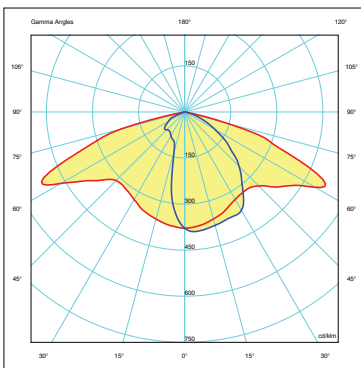
000: Suitable for high installation, larger distances between poles and for parking spaces.



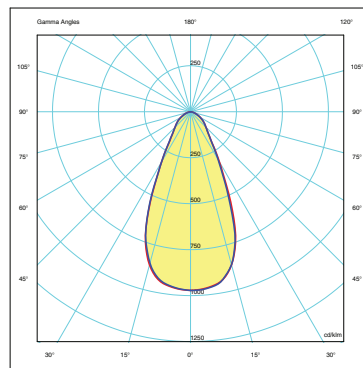
001: Suitable for wider roadways and smaller distances between poles and for parking spaces.



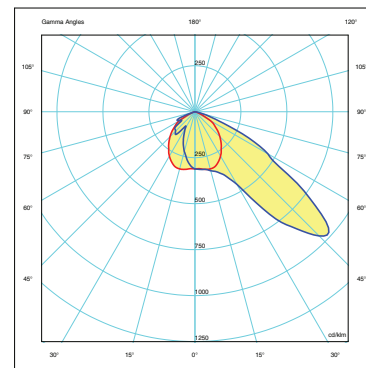
002: Suitable for narrower roadways, access roads, cycling and pedestrian areas.



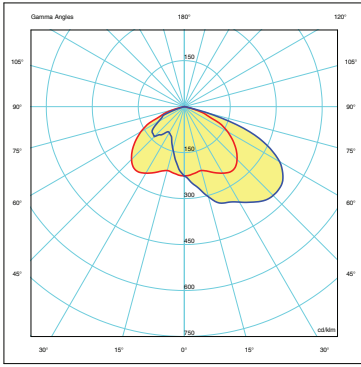
010: Suitable for larger distances between poles and for high mounting installation. Higher uniformity factor.



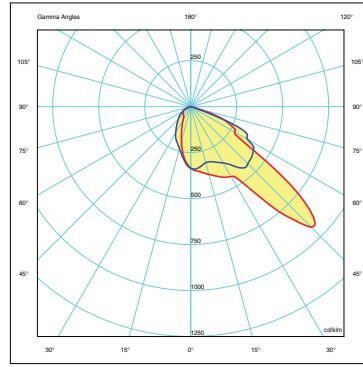
100: Suitable for parking spaces and pedestrian crossings.



101: Suitable for parking spaces. Small distances between poles are required.



110: Suitable for wide roadways and parking spaces with smaller distances between poles.



111: Suitable for pedestrian crossings.

## PRODUCT VARIATIONS

### ECONOMY

Article	LED	Power [W]	Luminous flux [lm] *	Efficacy [lm/W]	Forward current [mA]	Optics available	Body type	Control	Luminaires per fuse	Appliance class	Additional options
E LUM ES 12.030_ _ _	12	30	Up to 2850	95	700	8	E LUM 1	/	<21 pcs	Class I / Class II	SPD, Lightswitch
E LUM ES 24.060_ _ _	24	60	Up to 6000	100	700	8	E LUM 1	/	<11 pcs	Class I / Class II	SPD, Lightswitch

\*Luminous flux is valid for CCT 4000 K

### STANDARD

Article	LED	Power [W]	Luminous flux [lm] *	Efficacy [lm/W]	Forward current [mA]	Optics available	Body type	Control	Luminaires per fuse	Appliance class	Additional options
E LUM 08.015_ _ _	8	15	Up to 1450	97	540	8	E LUM 1	DALI or 1-10V	<50 pcs	Class I / Class II	SPD, PLC, RF, Nema Ready, Lightswitch
E LUM 12.030_ _ _	12	30	Up to 2850	95	700	8	E LUM 1	DALI or 1-10V	<21 pcs	Class I / Class II	SPD, PLC, RF, Nema Ready, Lightswitch
E LUM 24.060_ _ _	24	60	Up to 6000	105	350	8	E LUM 1	DALI or 1-10V	<21 pcs	Class I / Class II	SPD, PLC, RF, Nema Ready, Lightswitch
E LUM 24.080_ _ _	24	80	Up to 8400	105	950	8	E LUM 1	DALI or 1-10V	<11 pcs	Class I / Class II	SPD, PLC, RF, Nema Ready, Lightswitch
E LUM 48.080_ _ _	48	80	Up to 8490	106	470	8	E LUM 2	DALI or 1-10V	<11 pcs	Class I / Class II	SPD, PLC, RF, Nema Ready, Lightswitch
E LUM 48.120_ _ _	48	120	Up to 11450	95	700	8	E LUM 2	DALI or 1-10V	<9 pcs	Class I / Class II	SPD, PLC, RF, Nema Ready, Lightswitch
E LUM 80.095_ _ _	80	95	Up to 10500	111	340	8	E LUM 2	DALI or 1-10V	<9 pcs	Class I / Class II	SPD, PLC, RF, Nema Ready, Lightswitch
E LUM 80.140_ _ _	80	140	Up to 14900	106	500	8	E LUM 2	DALI or 1-10V	<9 pcs	Class I / Class II	SPD, PLC, RF, Nema Ready, Lightswitch
E LUM 96.190_ _ _	96	190	Up to 19350	102	560	8	E LUM 2	DALI or 1-10V	<4 pcs	Class I / Class II	SPD, PLC, RF, Nema Ready, Lightswitch

\*Luminous flux is valid for CCT 4000 K

