

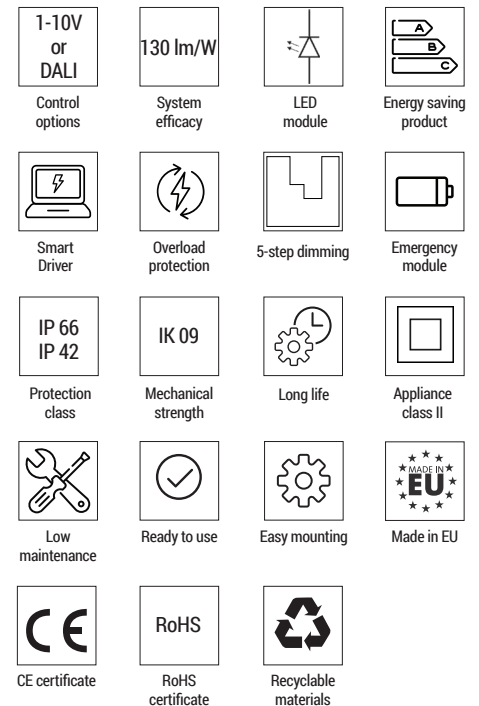
E LUM SOLAR



**LUMENIA
STREET**

E LUM SOLAR features top-quality components, made in EU. Our unmatched development distinguishes this system as utterly reliable with a prolonged service life. Main features of the system represent a battery charger with MTTP functions, controlling the charging of batteries and automated dimming. It is also possible to set 5 dimming steps via smartphone, using a special application.

	E LUM SOLAR 30 W	E LUM SOLAR 60 W
System efficacy	Up to 130 lm/W	Up to 130 lm/W
LED	8	16
Power	30 W	60 W
Luminous flux	3,220 lm	6,871 lm
Advisable installation height	6 m	10 m
Weight	71 kg	71 kg
Battery bank	60 Ah LiFeYPO4	100 Ah LiFeYPO4
System autonomy	30 h	
Charging function	MPPT (Maximum power point tracking)	
Battery bank lifetime	7000 cycle lifetime at 70% DOD	
PV Module	205 W	
CCT	4,000–4,500 K; 4 Step McAdam (5,700 K or 3,800 K upon request)	
CRI	≥70; ≥80 (optional)	
Ingress protection	Electronic components IP 66 Battery housing IP 42	
Mechanical strength	IK 09	
Operating temperature	-20 °C to +50 °C	
Electrical / Appliance class	Class II	
Tilt of the luminaire	0° to 90°	
Tilt of the solar panel	20°-40° vertical; 360° horizontal	
Dimming protocol	Manual / Automated (default)	
Dimming levels	0-100 %	
Remote control options	Programming & monitoring via Bluetooth application	
Colour (RAL)	RAL 7037	
Housing material	Battery housing: steel sheet, Luminaire: die cast aluminium	
Mounting	Pole 60 mm (adapter needed for other dimensions)	
Pole load weight	71 kg, Wind zone 3	
Warranty	5 years on electronics, 10 years on mechanical parts	
Certificates	EN 55015:2013, EN 61547:2009, CE	



MAIN FEATURES

System autonomy for up to 30h
Bluetooth module for remote connection, programming and monitoring
Angle adjustment of the solar panel (horizontal and vertical) and luminaire (vertical)

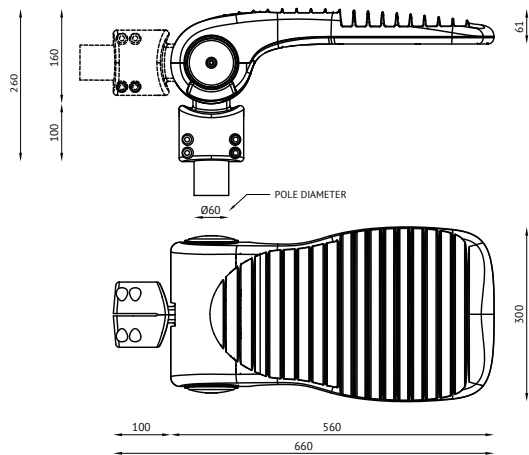
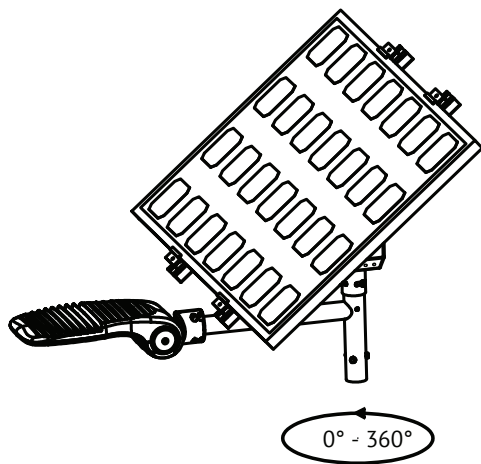
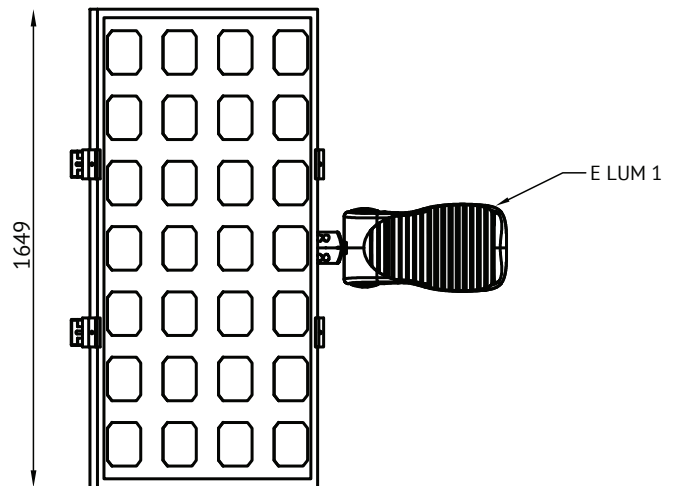
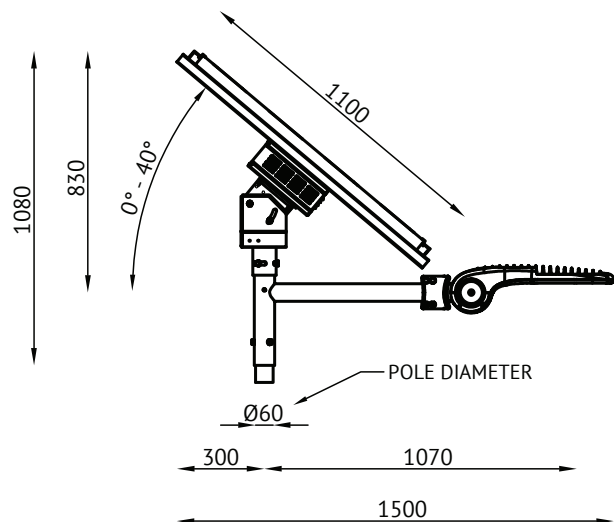
APPLICATIONS

Road types M4 / M5 / M6 / P2 / P3 / P4 / P5 / P6
Areas with no public grid
Bus stations, parks and dirt roads

ACCESSORIES

Mounting adapter
PV Module
Bluetooth module

DIMENSIONS



REMOTE PROGRAMMING AND MONITORING

The smart charger unit includes a Bluetooth module for remotely connecting to your smart phone. Using the application, you can set dimming parameters and monitor:

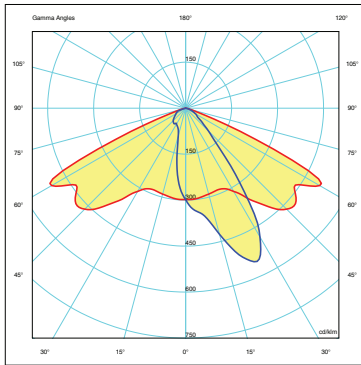
- the battery status,
- the electrical current generated by solar panel,
- electrical current consumption,
- the temperature inside of the battery pack.



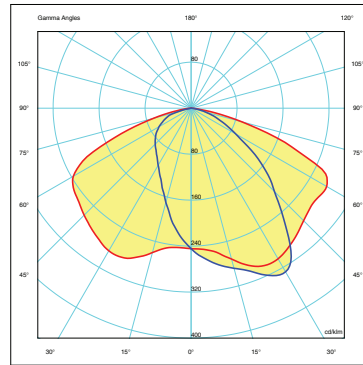
Remote programming and monitoring application – Bluetooth

OPTICS

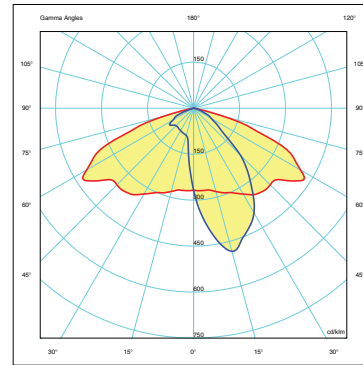
MAIN FEATURES



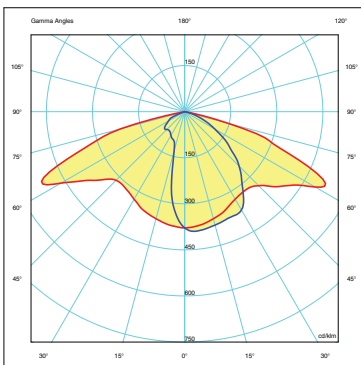
000: Suitable for high installation, larger distances between poles and for parking spaces.



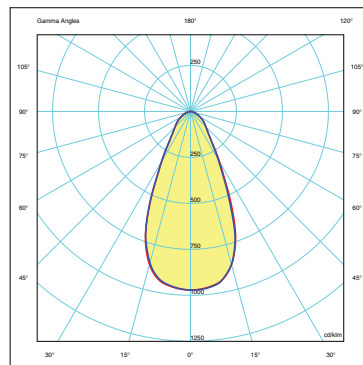
001: Suitable for wider roadways and smaller distances between poles and for parking spaces.



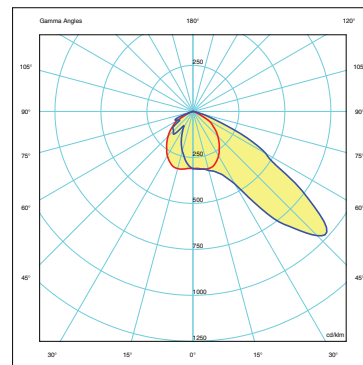
002: Suitable for narrower roadways, access roads, cycling and pedestrian areas.



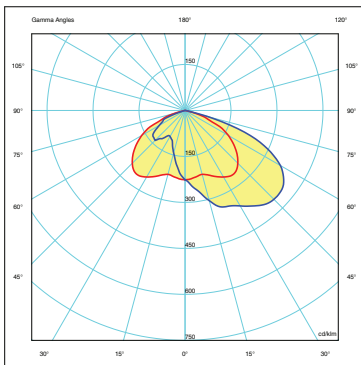
010: Suitable for larger distances between poles and for high mounting installation. Higher uniformity factor.



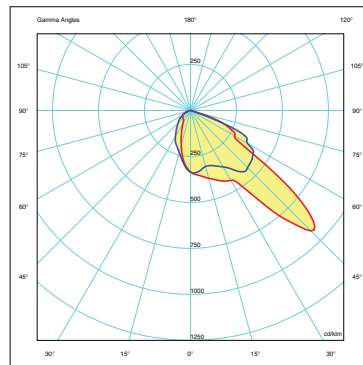
100: Suitable for parking spaces and pedestrian crossings.



101: Suitable for parking spaces. Small distances between poles are required.



110: Suitable for wide roadways and parking spaces with smaller distances between poles.



111: Suitable for pedestrian crossings.

PRODUCT VARIATIONS

E LUM SOLAR

Article	LED	Power [W]	Luminous flux [lm] *	Efficacy [lm/W]	Forward current [mA]	Optics available	Body type	Control	Battery bank [Ah]	PV Module power [W]	Additional options
E LUMS12.030._._	12	30	Up to 3600	120	800	8	E LUM 1	5-step real time dimming Self adjusting brightness level according to battery SOC, Bluetooth	90	205	Bluetooth
E LUMS16.060._._	16	60	Up to 7200	120	1250	8	E LUM 1	5-step real time dimming Self adjusting brightness level according to battery SOC, Bluetooth	100	205	Bluetooth

*Luminous flux is valid for CCT 4000 K

The latest validated data is available at www.lumenia.com.

Investment in LUMENIA STREET is a profitable decision



**Sustainable
Environment**



**Energy
Savings**



ROI



**5-year
Warranty**



**Lower CO₂
Emissions**



**Light Pollution
Elimination**



Dimmable



**Low
Maintenance**



**Designed and
Manufactured in EU**

