

# S LUM

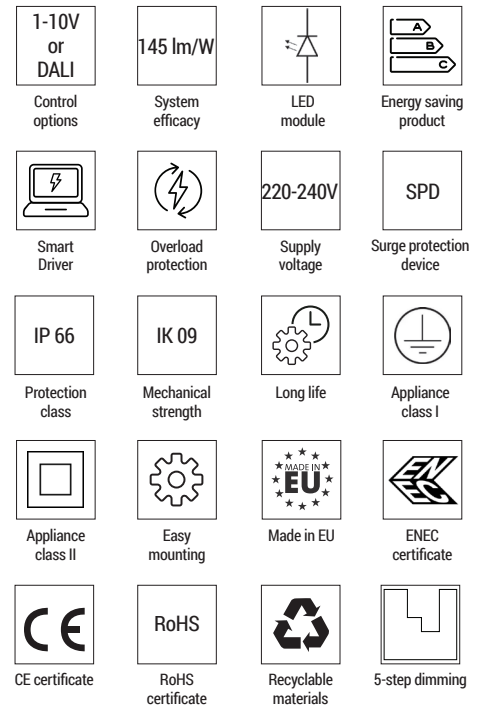


**LUMENIA  
STREET**

S LUM light is our star energy-efficient product for street lighting, as it drastically reduces energy and maintenance costs. S LUM street lights feature a toolless, replaceable light engine and power supply. Other features include a post-top mounting bracket that is horizontally and vertically adjustable. This reliable luminaire has a long lifetime of more than 100,000 hours.



	S LUM 1	S LUM 2
System efficacy	Up to 145 lm/W	Up to 145 lm/W
Supply voltage	220-240 VAC	220-240 VAC
LED	4-8 Standard 8-16 Premium	12-24 Standard 24-48 Premium
Power	10-40 W	60-120 W
Luminous flux	1,188-5,600 lm	6,500-16,800 lm
Power factor	>0.96	>0.96
EPA rating	0.0336 m <sup>2</sup>	0.0406 m <sup>2</sup>
Advisable installation height	Up to 8 m	Up to 15 m
Weight (kg)	6 kg	9 kg
Lifetime L80B10	>100,000 h	
Lifetime L90B10	>100,000 h (Premium)	
CCT	4000 K; other upon request	
CRI	≥70; ≥80 upon request	
Ingress protection	IP 66	
Mechanical strength	IK 09	
Surge protection options	Standard & Premium 10 kV / 6 kV; additional SPD 10 kV / 10 kA	
Operating temperature	-40 °C to +55 °C	
Electrical / Appliance class	Class I, Class II	
Tilt	-10° to 15°	
Dimming levels	0-100 %	
Remote control options	Optional RF or PLC	
Colour (RAL)	RAL 7037	
Housing material	Aluminium	
Salt spray test	Yes (salt chamber test according to EN 60068 -2 -11:1999)	
Mounting	Pole 60 mm or 76 mm	
Warranty	5 years on electronics, 10 years on mechanical parts, upon request	
Certificates	IEC 60598-1:2014 (8th edition); IEC 60598-2-3:2002 + A1:2011; EN 60598 -1:2015; EN 60598-2-3:2003 + A1:2011; IEC/EN 62031:2008 + A1 + A2; IEC/ TR 62778:2014; EN60068-2-6: N60068-2-27:CE, ENEC, UK Charge codes, LM79, IES LM-82-12	



## MAIN FEATURES

Efficacy up to 145 lm/W  
Screw-less access  
Die cast aluminium  
IoT compatible

## APPLICATIONS

Road types: P1, P2, P3, P4, P5, P6, M1, M2, M3, M4, M5, M6  
Smaller sport playgrounds  
Parking lots

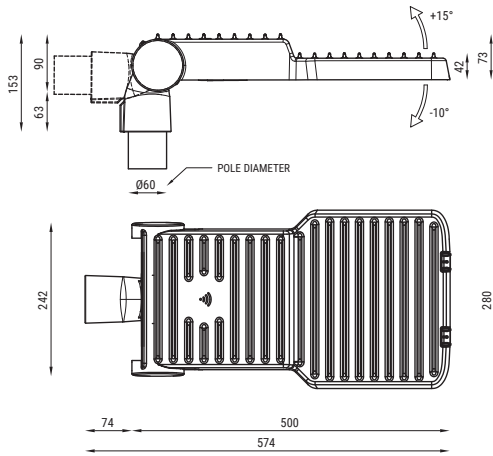
## ACCESSORIES

Zhaga socket ready driver  
System ready driver  
Lightswitch  
PLC / RF control  
Camera  
SPD (Surge protection device)  
Nema socket

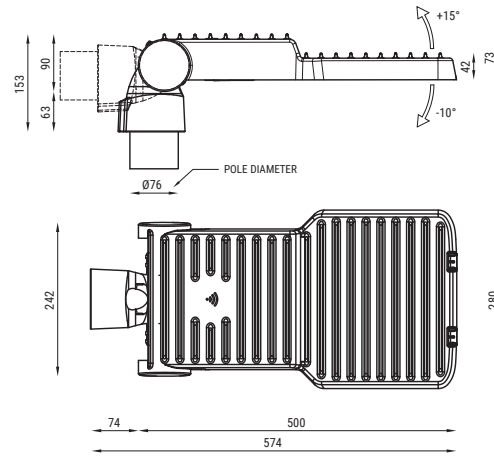
VARIATION	Standard	Premium
Efficacy	Up to 130 lm/W	Up to 145 lm/W
Tool-less entry	Yes	Yes
Overheat production	Yes	Yes
Number of optics	6	8
Different CCT available	Yes	Yes
Surge protection option	Optional	Optional
Control options	DALI, 1-10V, programmable, RF & PLC optional	DALI, 1-10V, programmable, RF & PLC optional
Time dependant luminous flux	Yes	Yes

# DIMENSIONS

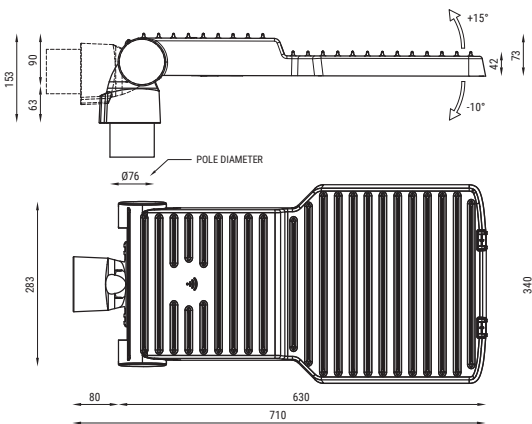
## S LUM 1 + ROTOR $\Phi 60$ MM



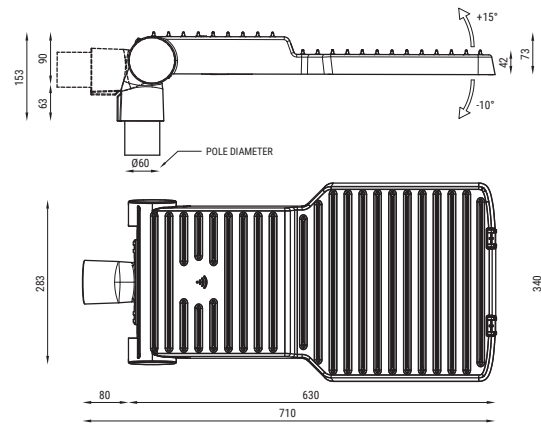
## S LUM 1 + ROTOR $\Phi 76$ MM



## S LUM 2 + ROTOR $\Phi 76$ MM



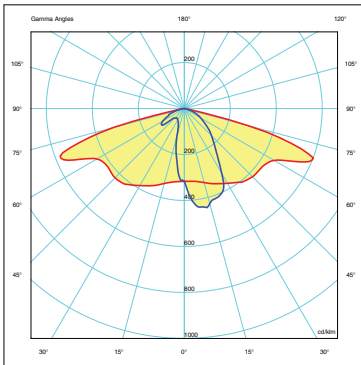
## S LUM 2 + ROTOR $\Phi 60$ MM



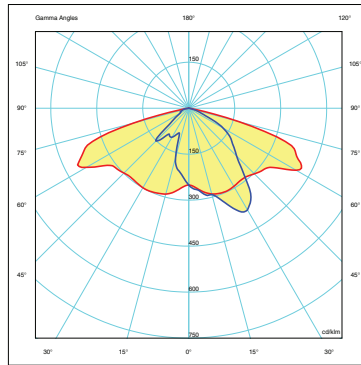
\*All dimensions are in mm.

# OPTICS

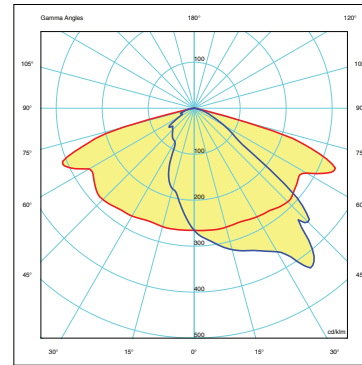
## STANDARD



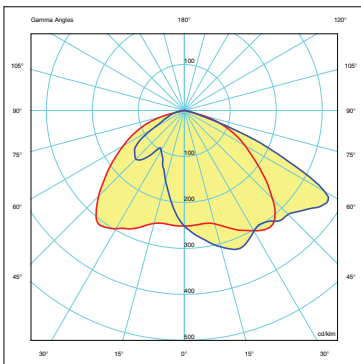
002: Suitable for narrower roadways, access roads, cycling and pedestrian areas.



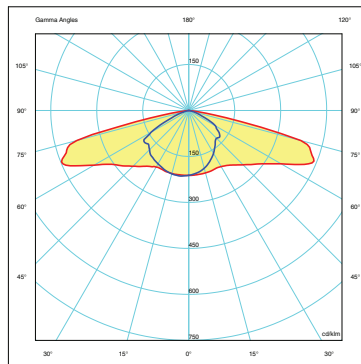
010: Suitable for larger distances between poles and high mounting installation. Higher uniformity factor.



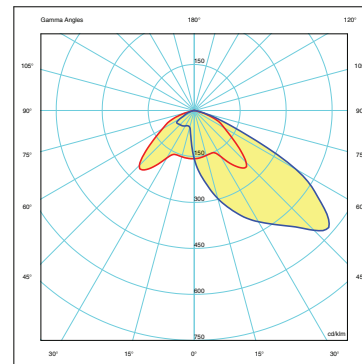
020: Suitable for wider roadways with large distances between poles.



110: Suitable for wide roadways, smaller distances between poles and for parking spaces.

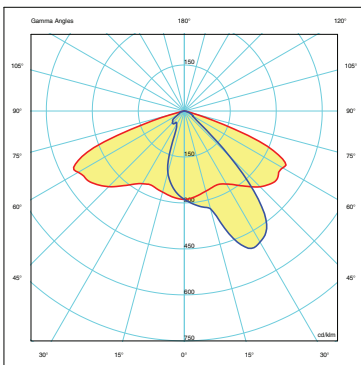


200: Suitable for bicycle paths with large pole distances.

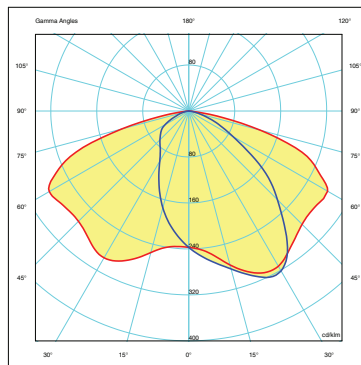


202: Suitable for wide roadways and parking spaces with smaller distances between poles.

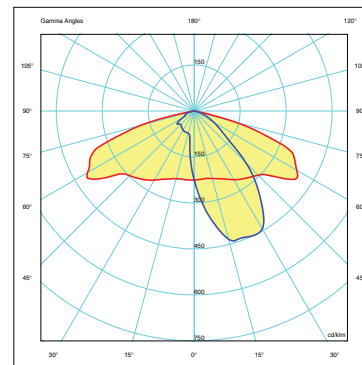
## PREMIUM



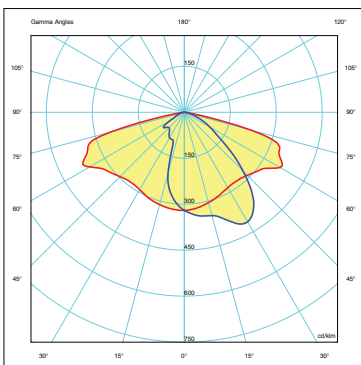
000: Suitable for high installation, larger distances between poles and parking spaces.



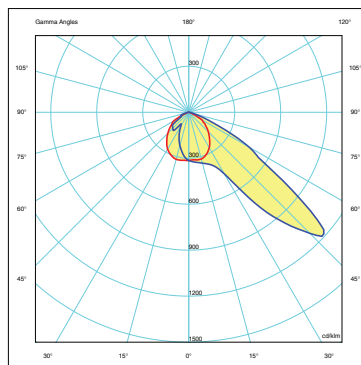
001: Suitable for wider roadways, smaller distances between poles and for parking spaces.



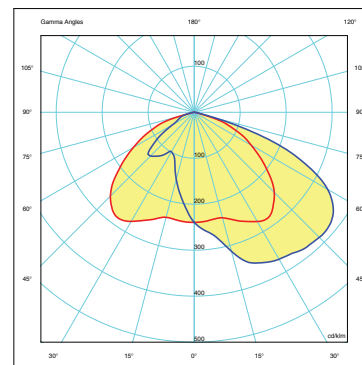
002: Suitable for narrower roadways, access roads, cycling and pedestrian areas.



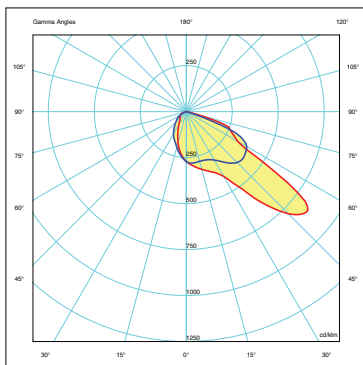
010: Suitable for larger distances between poles and high mounting installation. Higher uniformity factor.



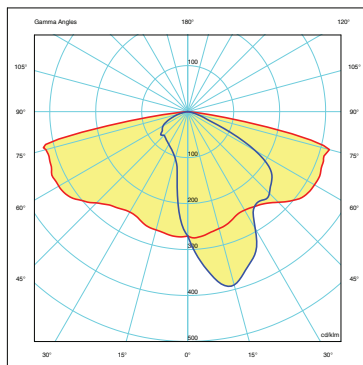
101: Suitable for small distances between poles and for parking spaces.



110: Suitable for wide roadways, smaller distances between poles and for parking spaces.



111: Suitable for pedestrian crossings.



220: Suitable for wide roadways and long distances between poles.

## PRODUCT VARIATIONS

### STANDARD

Article	LED	Power [W]	Luminous flux [lm] *	Efficacy [lm/W]	Forward current [mA]	Optics available	Body type	Control	Luminaires per fuse	Appliance class	Additional options
S LUM1.04.010_---	4	10	Up to 1200	120	250	6	S LUM 1	DALI or 1-10V	< 40 pcs	Class I / Class II	SPD, PLC, RF, Nema Ready, Lightswitch
S LUM1.06.025_---	6	25	Up to 3270	130	400	6	S LUM 1	DALI or 1-10V	< 12 pcs	Class I / Class II	SPD, PLC, RF, Nema Ready, Lightswitch
S LUM1.08.040_---	8	40	Up to 5110	128	450	6	S LUM 1	DALI or 1-10V	< 12 pcs	Class I / Class II	SPD, PLC, RF, Nema Ready, Lightswitch
S LUM2.12.060_---	12	60	Up to 7540	126	400	6	S LUM 2	DALI or 1-10V	< 12 pcs	Class I / Class II	SPD, PLC, RF, Nema Ready, Lightswitch
S LUM2.16.080_---	16	80	Up to 10200	128	400	6	S LUM 2	DALI or 1-10V	< 8 pcs	Class I / Class II	SPD, PLC, RF, Nema Ready, Lightswitch
S LUM2.24.120_---	24	120	Up to 15530	129	450	6	S LUM 2	DALI or 1-10V	< 5 pcs	Class I / Class II	SPD, PLC, RF, Nema Ready, Lightswitch

\*Luminous flux is valid for CCT 4000 K

### PREMIUM

Article	LED	Power [W]	Luminous flux [lm] *	Efficacy [lm/W]	Forward current [mA]	Optics available	Body type	Control	Luminaires per fuse	Appliance class	Additional options
S LUM1.08.010_---	8	10	Up to 1300	140	400	8	S LUM 1	DALI or 1-10V	< 40 pcs	Class I / Class II	SPD, PLC, RF, Nema Ready, Lightswitch
S LUM1.12.025_---	12	25	Up to 3250	140	700	8	S LUM 1	DALI or 1-10V	< 12 pcs	Class I / Class II	SPD, PLC, RF, Nema Ready, Lightswitch
S LUM1.16.040_---	16	40	Up to 5200	140	800	8	S LUM 1	DALI or 1-10V	< 12 pcs	Class I / Class II	SPD, PLC, RF, Nema Ready, Lightswitch
S LUM2.28.060_---	28	60	Up to 7800	140	750	8	S LUM 2	DALI or 1-10V	< 12 pcs	Class I / Class II	SPD, PLC, RF, Nema Ready, Lightswitch
S LUM2.32.080_---	32	80	Up to 10400	140	800	8	S LUM 2	DALI or 1-10V	< 8 pcs	Class I / Class II	SPD, PLC, RF, Nema Ready, Lightswitch
S LUM2.48.120_---	48	120	Up to 15600	140	800	8	S LUM 2	DALI or 1-10V	< 5 pcs	Class I / Class II	SPD, PLC, RF, Nema Ready, Lightswitch

\*Luminous flux is valid for CCT 4000 K

The latest validated data is available at [www.lumenia.com](http://www.lumenia.com).